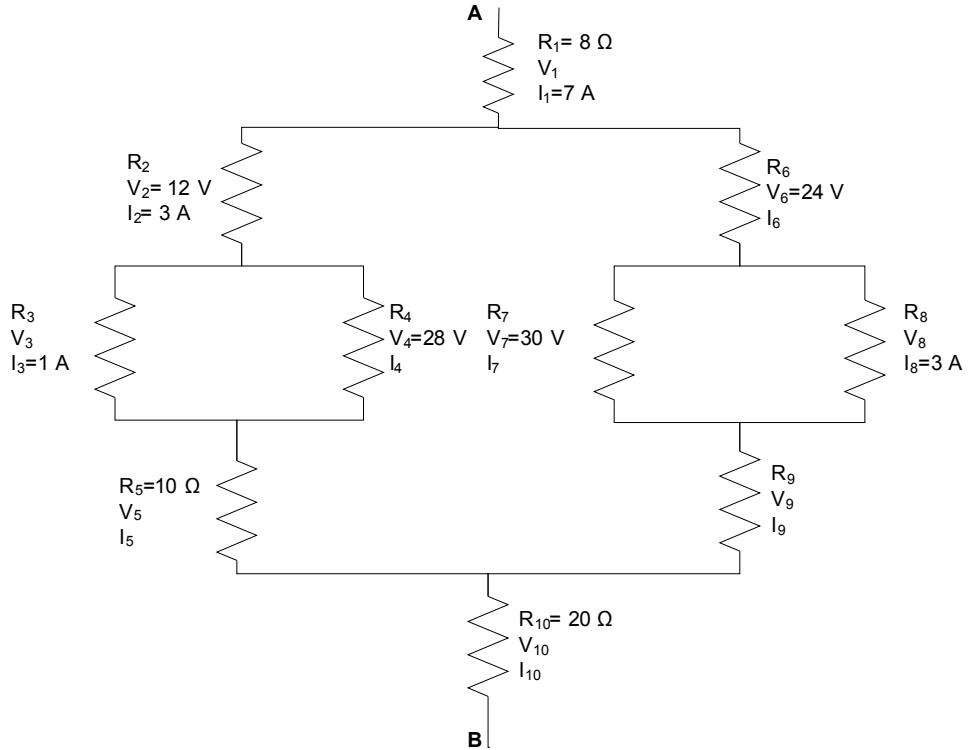


Determine the unknowns in the circuit below.
 Also find V_{AB} , the potential difference between points **A** and **B**



Determine the unknowns in the circuit below.
 Also find V_{AB} , the potential difference between points **A** and **B**

